



# DATA SHEET

2011-06-03

Page 1 / 3

DAB PUMPS S. p. A.  
Via Marco Polo, 14 - 35035 Mestrino (PD) - Italy  
Ph. +39 049 9048811 - Fax +39 049 9048847  
Http://www.dabpumps.com

### Receiver

Societa  
Reference  
Address  
Telephone  
Fax  
E-mail

### From

BYKO  
Einarsson, Gudmundur  
Skemmuvegir  
354 515 4077  
354 515 4109  
gudmundur@byko.is

Item no. 102655040

### Pump data :

Model :  
AQUAJET-INOX 102 M  
Pressure rating : 8 bar (800 kPa)  
Min. fluid temperature : 0 °C  
Max. fluid temperature :  
Max. Temperature operating : 40 °C

### Priming capacity:

H m	2	3	4	5	6	7	8	9
Q l/s	0,85	0,783	0,683	0,633	0,567	0,467	0,383	0,3

### Requested data :

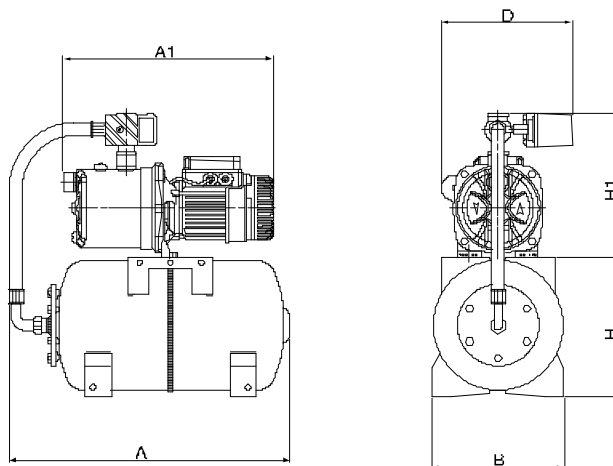
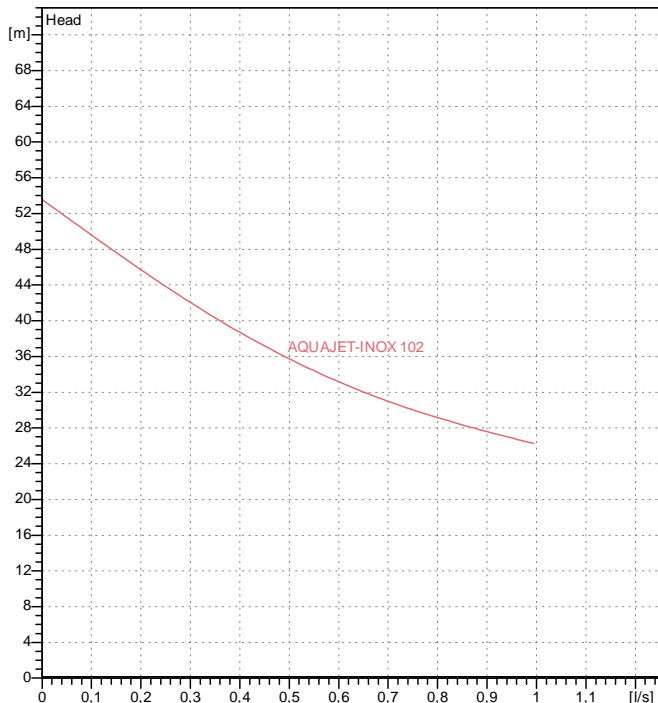
Flow 0,00 l/s  
Head 0,00 m  
Fluid : Water, pure  
Fluid Temperature : 20 °C  
Density: 998,3 kg/m<sup>3</sup>  
Kinematic viscosity 0,003618 m<sup>2</sup>/h  
Vapor pressure : 2,34 kPa

### Hydraulic data (duty point)

Flow  
Head

### Materials :

Pump body AISI 304 X5 Cr Ni 1810 UNI 6900/71  
Impeller Technopolymer A  
Shaft with rotor AISI 303 X10 CrNiS 1809 UNI 6900/71  
OR ring Rubber NBR  
Diffusor Technopolymer A  
Mechanical seal Carbon/Ceramic  
Disc seal AISI 304 X5 Cr Ni 1810 UNI 6900/71



### Motor data :

Trade mark : DAB  
Nominal power P2 : 0,75 kW  
Rated speed: 2800 rpm  
Rated voltage : 1~ 230 V 50 Hz  
Nominal current : 5,1 A  
Degree of protection : IP 44

### Dimension

mm

Dimension	Value	Unit	Value	Unit
A	543	mm	DNA	1" G
A1	424	mm	DNM	1" G
B	255	mm	H	270
D	260	mm	H1	276

Weight : 17,1 kg

### Pump connection

Suction side 1 " G / 8 bar (800 kPa)  
Discharge side 1 " G / 8 bar (800 kPa)



# PERFORMANCE CURVES

2011-06-03

Page 2 / 3

DAB PUMPS S. p. A.  
Via Marco Polo, 14 - 35035 Mestrino (PD) - Italy  
Ph. +39 049 9048811 - Fax +39 049 9048847  
Http://www.dabpumps.com

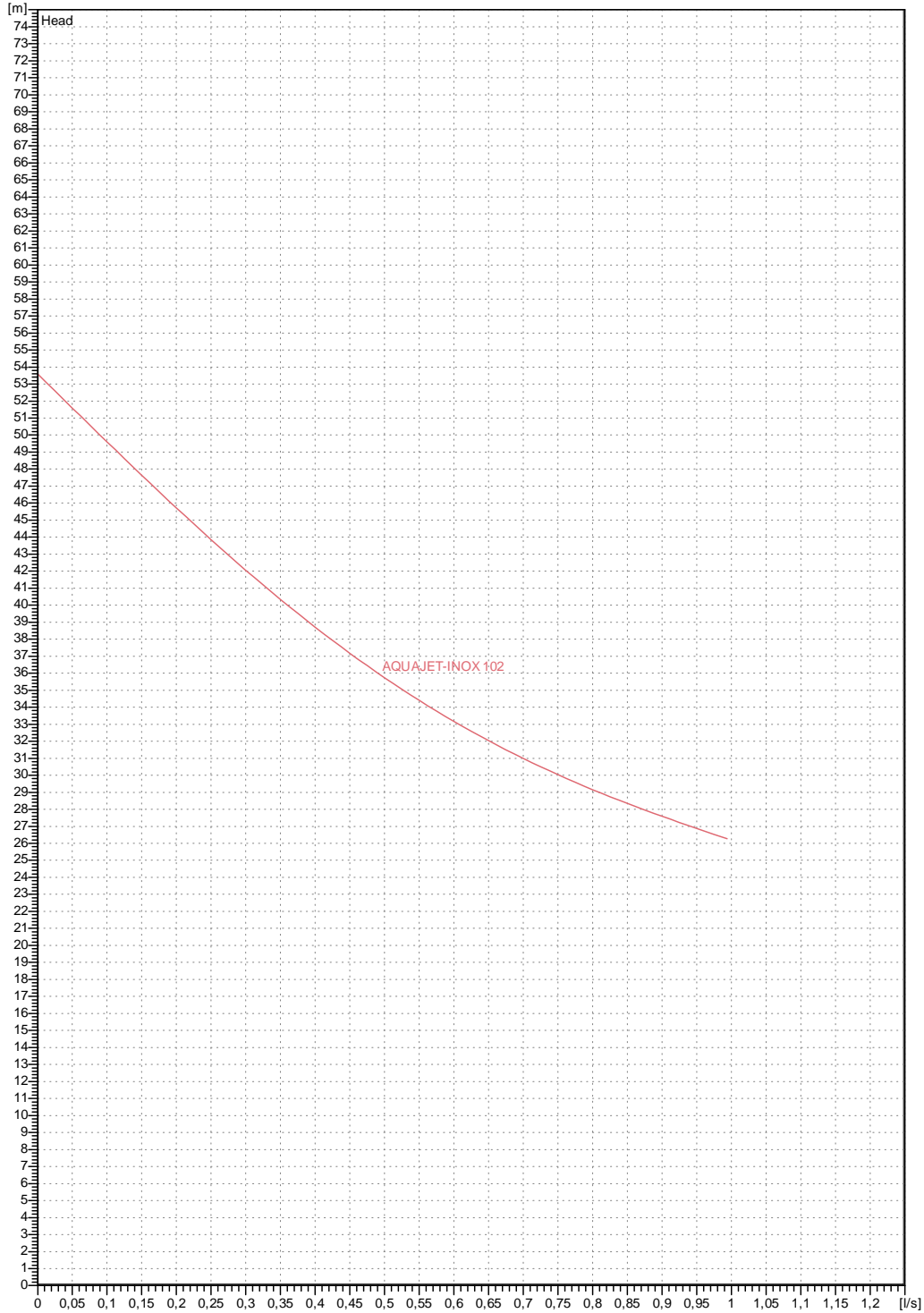
Receiver

From

Societa  
Reference  
Address  
Telephone  
Fax  
E-mail

BYKO  
Einarsson, Gudmundur  
Skemmuvegir  
354 515 4077  
354 515 4109  
gudmundur@byko.is

## AQUAJET-INOX 102 M



Hydraulic data (duty point)

Suction side 1" G / 8 bar (800 kPa)	Discharge side 1" G / 8 bar (800 kPa)	Flow 0 l/s	Head 0 m	Speed 2800 rpm
Project	Project ID	Created by	Created on 2011-06-03	



# DIMENSIONAL DRAWING

2011-06-03

Page 3 / 3

DAB PUMPS S. p. A.  
Via Marco Polo, 14 - 35035 Mestrino (PD) - Italy  
Ph. +39 049 9048811 - Fax +39 049 9048847  
Http://www.dabpumps.com

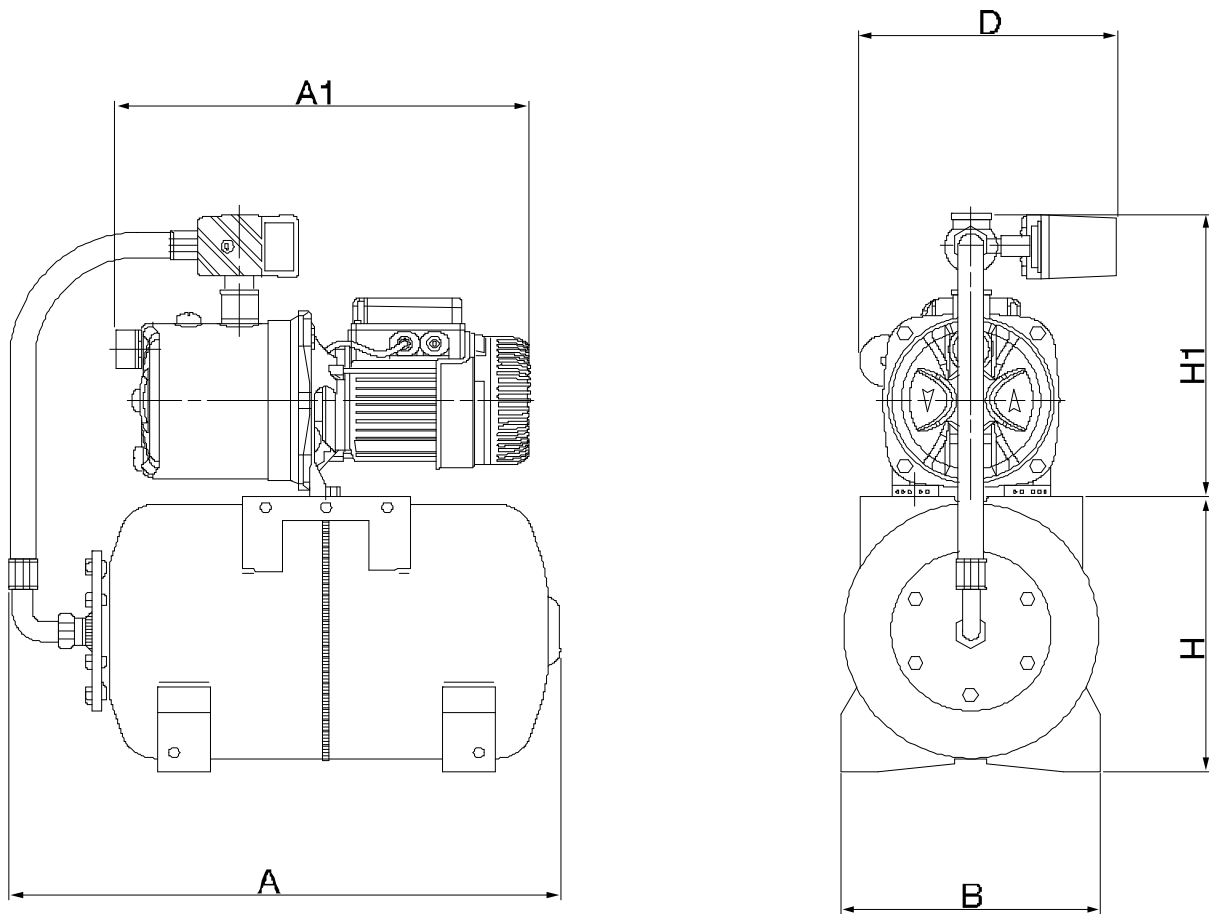
Receiver

From

Societa  
Reference  
Address  
Telephone  
Fax  
E-mail

BYKO  
Einarsson, Gudmundur  
Skemmuvegir  
354 515 4077  
354 515 4109  
gudmundur@byko.is

## AQUAJET-INOX 102 M



### Dimensions in mm

### Pump connection

1	A	543										
2	A1	424										
3	B	255										
4	D	260										
5	DNA	1"G										
6	DNM	1"G										
7	H	270										
8	H1	276										

Suction  
1 " G  
8 bar (800 kPa)

Discharge  
1 " G  
8 bar (800 kPa)

Project

Project ID

Created by

Created on

2011-06-03