



DATA SHEET

DAB PUMPS S. p. A.
Via Marco Polo, 14 - 35035 Mestrino (PD) - Italy
Ph. +39 049 9048811 - Fax +39 049 9048847
Http://www.dabpumps.com

14/07/2010

Receiver

From

Societa
Reference
Address
Telephone
Fax
E-mail

Item no. 5051401

Pump data :

Model :
VA 35/1
Pressure rating : 10 bar (
Min. fluid temperature : -10 °C
Max. fluid temperature : 110 °C

Minimum suction head :

Temperature °C 90
Minimum suction head m 1.5

Requested data :

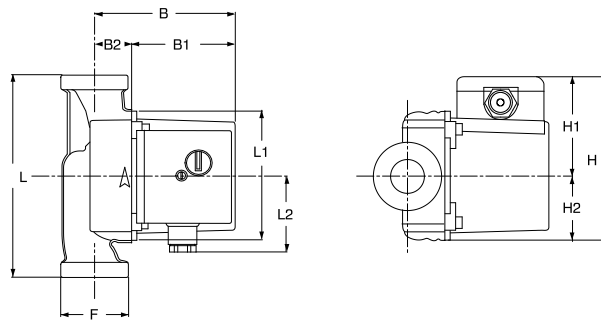
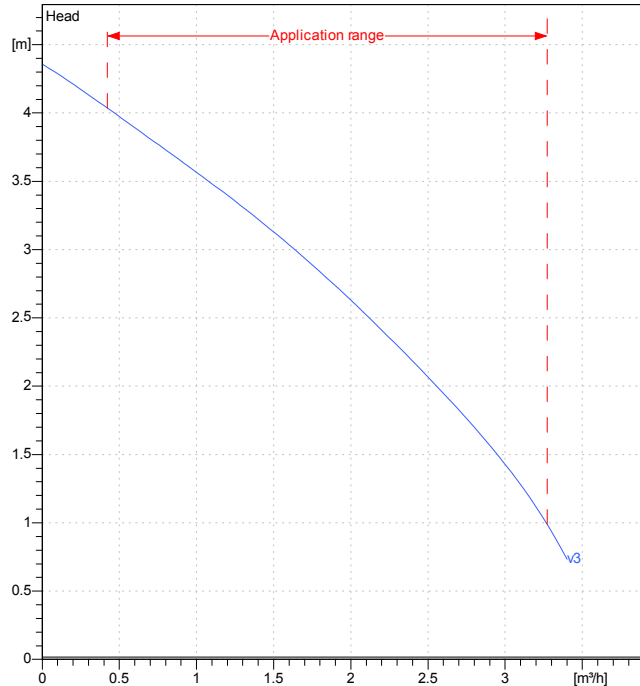
Flow : 0.00 m³/h
Head : 0.00 m
Fluid : Water, p
Fluid Temperature : 20 °C
Density : 998.3 kg/m³
Kinematic viscosity 1.005 mm²/s
Vapor pressure : 100.00 kPa

Available data :

Flow :
Head :
Speed 2370 rpm

Materials :

Pump body Cast iron
Impeller Technopolymer
Motor shaft Stainless steel
Air vent plug Brass
OR gasket Etylene propylene
Motor casing Die cast aluminium
Stator liner Stainless steel



Motor data :

Trade mark : DAB
Nominal power P2 : 0.023 kW
Rated speed: 2370 rpm
Rated voltage : 1~ 230 V 50 Hz
Nominal current : 0.31 A
Degree of protection : IP 44

Dimension

mm

B	104	H	124	L1	98		
B1	78	H1	75	L2	60		
B2	26	H2	49				
F	2" G	L	180				

Weight : 2.8 kg

Pump connection :

Suction side : 2" G / 10 bar (
Discharge side : 2" G / 10 bar (



PERFORMANCE CURVES

14/07/2010

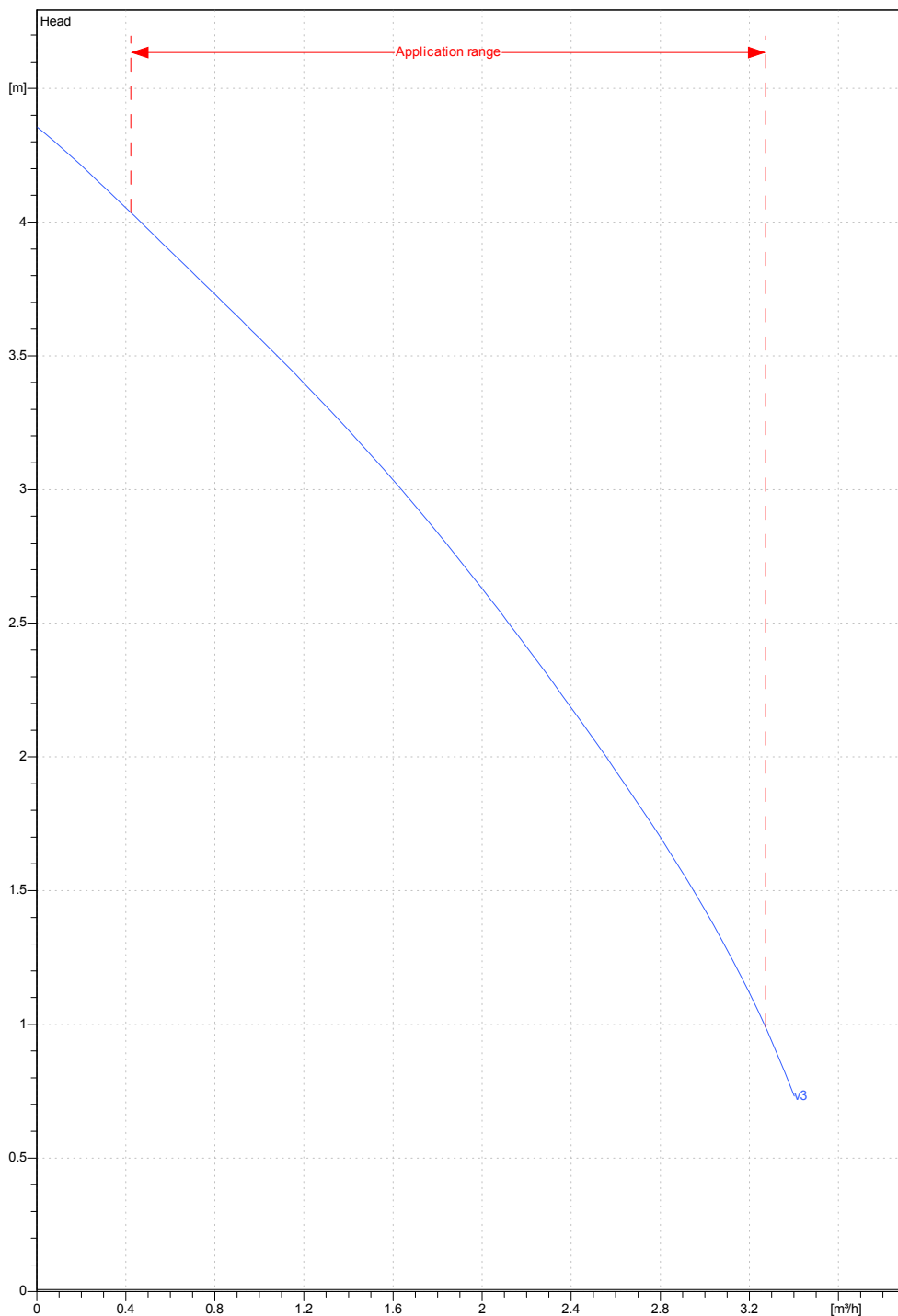
DAB PUMPS S. p. A.
Via Marco Polo, 14 - 35035 Mestrino (PD) - Italy
Ph. +39 049 9048811 - Fax +39 049 9048847
Http://www.dabpumps.com

Receiver

From

Societa
Reference
Address
Telephone
Fax
E-mail

VA 35/180X



Available data :

Suction side : 2 " G / 10 bar (Discharge side : 2 " G / 10 bar (Flow : 0 m³/h	Head : 0 m	Speed 2370 rpm
Project	Project ID	Created by	Created on 14.07.2010	



DIMENSIONAL DRAWING

14/07/2010

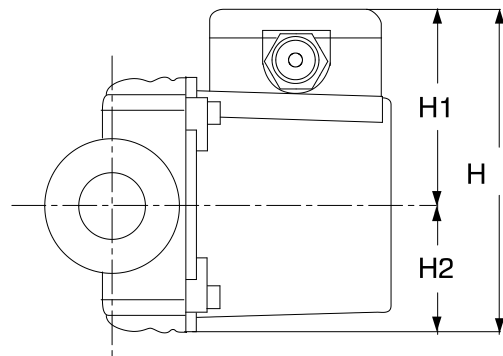
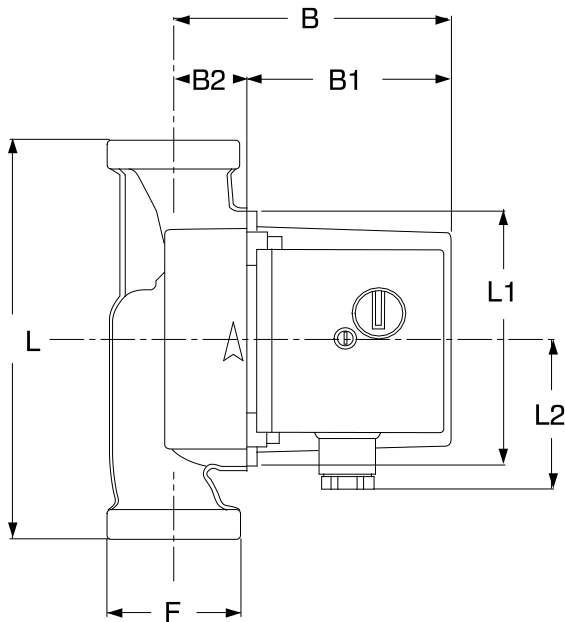
DAB PUMPS S. p. A.
Via Marco Polo, 14 - 35035 Mestrino (PD) - Italy
Ph. +39 049 9048811 - Fax +39 049 9048847
Http://www.dabpumps.com

Receiver

From

Societa
Reference
Address
Telephone
Fax
E-mail

VA 35/180X



Dimensions in mm

Pump connection :

1	B	104																				
2	B1	78																				Suction
3	B2	26																				2" G
4	F	2" G																				10 bar (
5	H	124																				
6	H1	75																				Discharge
7	H2	49																				2" G
8	L	180																				10 bar (
9	L1	98																				
10	L2	60																				

Project

Project ID

Created by

Created on
14.07.2010