



DATA SHEET

DAB PUMPS S. p. A.
Via Marco Polo, 14 - 35035 Mestrino (PD) - Italy
Ph. +39 049 9048811 - Fax +39 049 9048847
Http://www.dabpumps.com

02/07/2010

Receiver

From

Societa
Reference
Address
Telephone
Fax
E-mail

Item no. 5058070

Pump data :

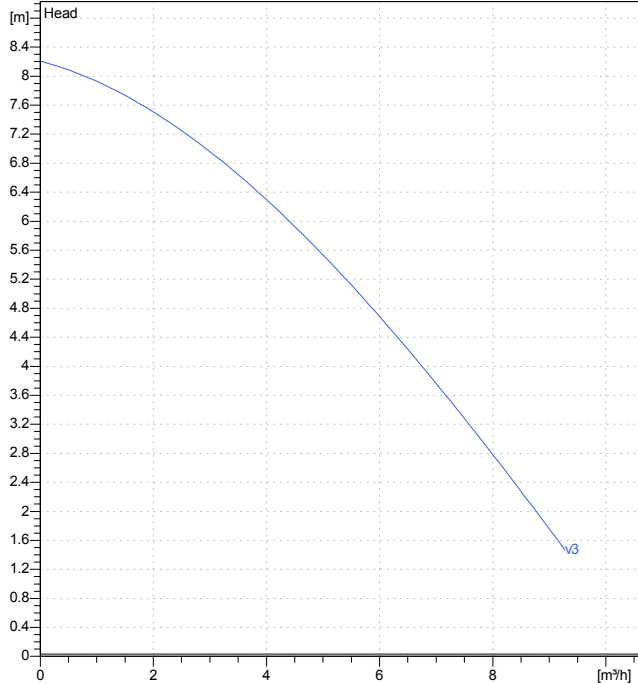
Model :
A 80/18
Pressure rating : 10 bar ()
Min. fluid temperature : -10 m
Max. fluid temperature : 110 m

Minimum suction head :

Temperature °C 0
Minimum suction head m 1.5

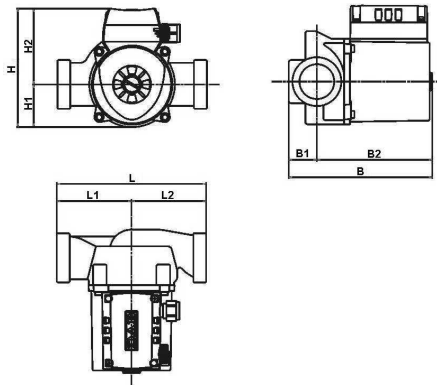
Requested data :

Flow : 0.00 m³/h
Head : 0.00 m
Fluid : Water, p
Fluid Temperature : 20 °C
Density : 998.3 kg/m³
Kinematic viscosity 1.005 mm²/s
Vapor pressure : 100.00 kPa



Available data :

Flow :
Head :
Speed 2674 rpm



Materials :

Pump body Cast iron
Impeller Technopoly mer
Motor shaft Stainless steel
Air vent plug Brass
OR gasket Etyilene propylene
Motor casing Die cast aluminium
Stator liner Stainless steel

Motor data :

Trade mark : DAB
Nominal power P2 : 0.141 kW
Rated speed: 2674 rpm
Rated voltage : 1~ 230 V 50 Hz
Nominal current : 1.15 A
Degree of protection : IP 44

Dimension

mm

B	173	H	143	L1	90		
B1	34	H1	52	L2	90		
B2	139	H2	92				
F	1"1/2	L	180				

Weight : 4.8 kg

Pump connection :

Suction side : 1 " 1/2 / 10 bar ()
Discharge side : 1 " 1/2 / 10 bar ()



PERFORMANCE CURVES

02/07/2010

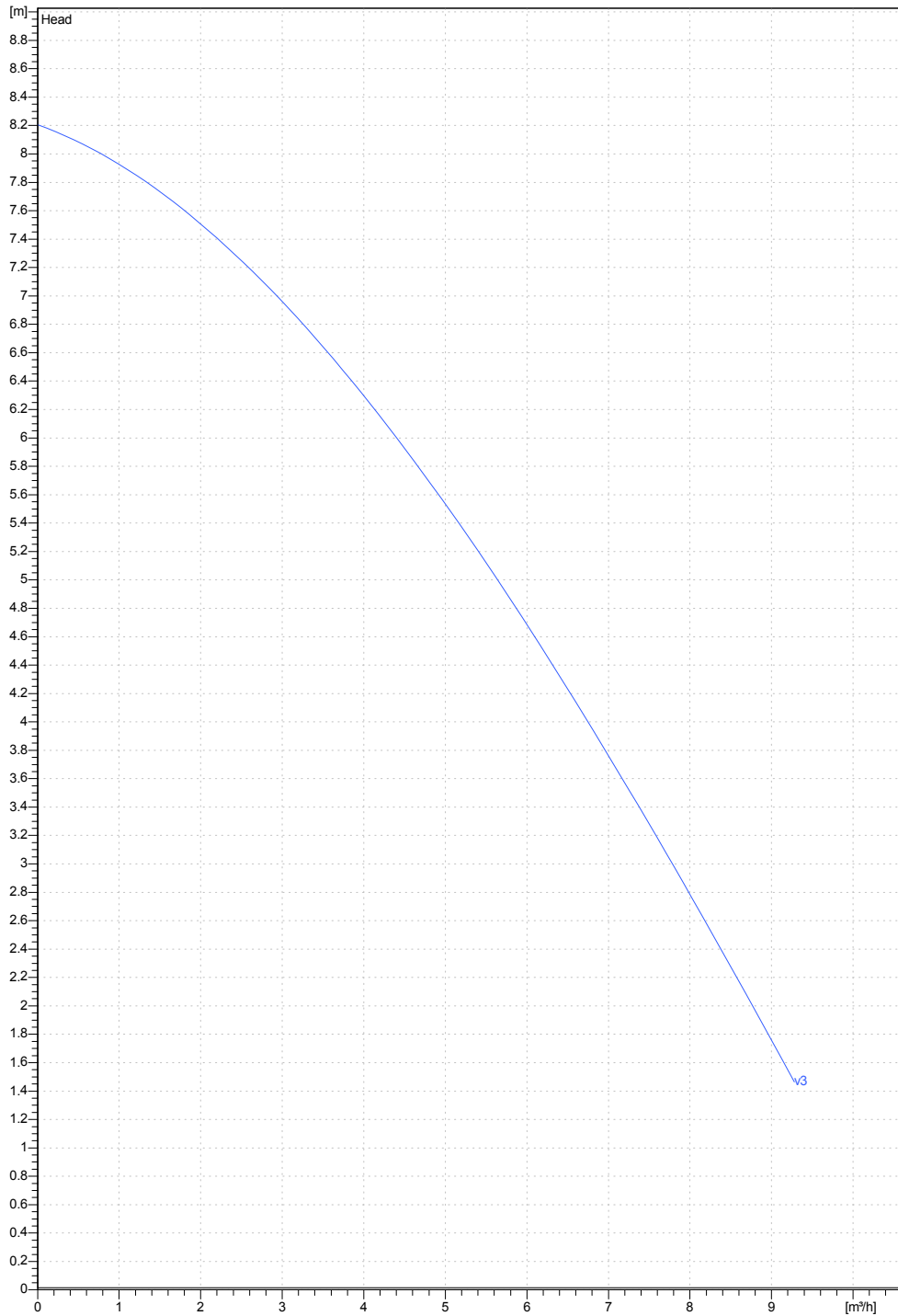
DAB PUMPS S. p. A.
Via Marco Polo, 14 - 35035 Mestrino (PD) - Italy
Ph. +39 049 9048811 - Fax +39 049 9048847
Http://www.dabpumps.com

Receiver

From

Societa
Reference
Address
Telephone
Fax
E-mail

A 80/180 M



Available data :

Suction side : 1 " 1/2/ 10 bar (Discharge side : 1 " 1/2/ 10 bar (Flow : 0 m³/h	Head : 0 m	Speed 2674 rpm
Project	Project ID	Created by	Created on 02.07.2010	



DIMENSIONAL DRAWING

02/07/2010

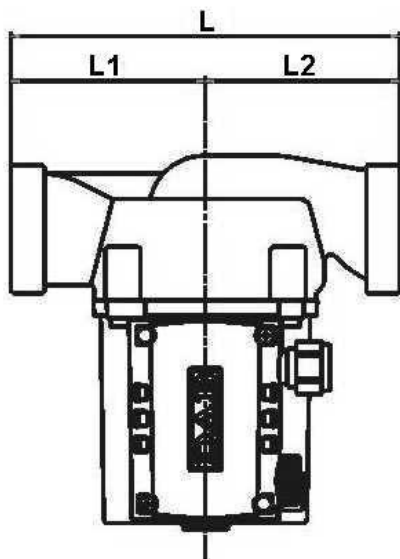
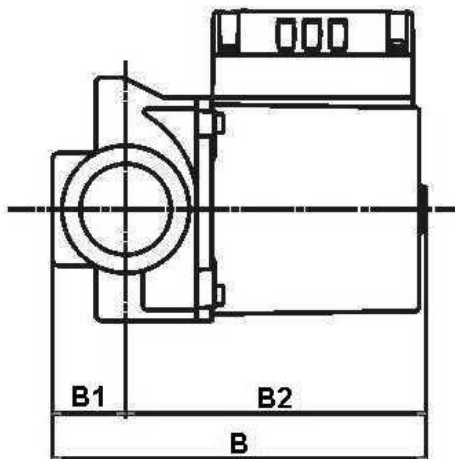
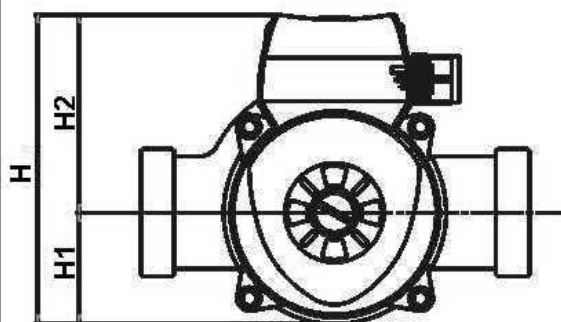
DAB PUMPS S. p. A.
Via Marco Polo, 14 - 35035 Mestrino (PD) - Italy
Ph. +39 049 9048811 - Fax +39 049 9048847
Http://www.dabpumps.com

Receiver

From

Societa
Reference
Address
Telephone
Fax
E-mail

A 80/180 M



Dimensions in mm

1	B	173								
2	B1	34								
3	B2	139								
4	F	1"1/2								
5	H	143								
6	H1	52								
7	H2	92								
8	L	180								
9	L1	90								
10	L2	90								

Pump connection :

Suction
1 " 1/2
10 bar (

Discharge
1 " 1/2
10 bar (

Project

Project ID

Created by

Created on

02.07.2010