



DATA SHEET

DAB PUMPS S. p. A.
Via Marco Polo, 14 - 35035 Mestrino (PD) - Italy
Ph. +39 049 9048811 - Fax +39 049 9048847
Http://www.dabpumps.com

14/07/2010

Receiver

From

Societa
Reference
Address
Telephone
Fax
E-mail

Item no. 5059276

Pump data :

Model :
BPH 12
Pressure rating : PN 10
Min. fluid temperature : -10 °C
Max. fluid temperature : 120 °C

Minimum suction head :

Temperature

°C	75	90	110	120
----	----	----	-----	-----

Minimum suction head

m	2	5	-	20
---	---	---	---	----

Requested data :

Flow : 0.00 m³/h
Head : 0.00 m
Fluid : Water, p
Fluid Temperature : 20 °C
Density : 998.3 kg/m³
Kinematic viscosity : 1.005 mm²/s
Vapor pressure : 100.00 kPa

Available data :

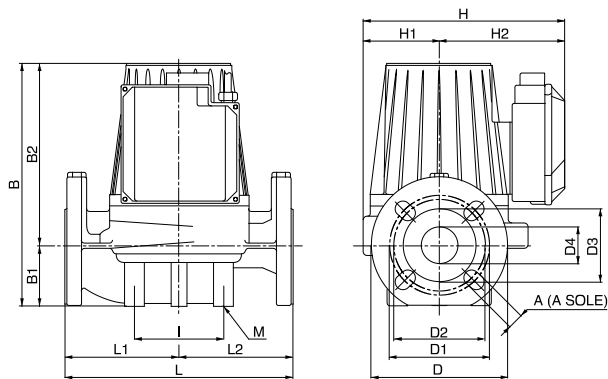
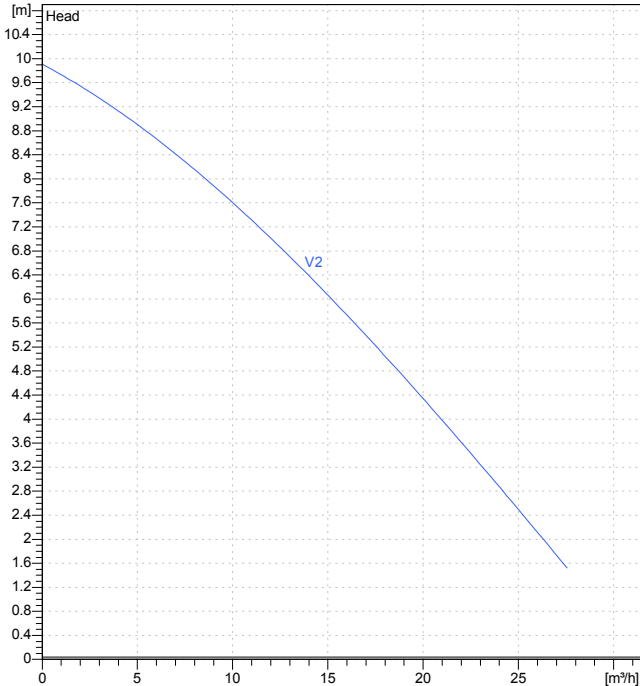
Flow :
Head :
Speed : 2430 rpm

Materials :

Pump body : Cast iron 200 UNI ISO 185
Impeller : Technopolymer B
Motor shaft : AISI 420 C bonofic
Air vent plug : Brass P Cu Zn40 Pb2 UNI 5705
OR gasket : Ety ilene propylene (EPDM)
Motor casing : Die cast aluminium
Stator liner : AISI 321Bon. - AISI 304

Motor data :

Trade mark : DAB
Nominal power P2 : 0.46 kW
Rated speed : 2430 rpm
Rated voltage : 3~ 230 V 50 Hz
Nominal current : 1.67 A
Degree of protection : IP 42



Dimension mm

A	18	D	165	D4	50	I	100
B	312	D1	125	H	254	I1	-
B1	73	D2	110	H1	96	I2	-
B2	239	D3	90	H2	158	I3	-

Weight : 26 kg

Pump connection :

Suction side : DN 50 / PN 10
Discharge side : DN 50 / PN 10



PERFORMANCE CURVES

14/07/2010

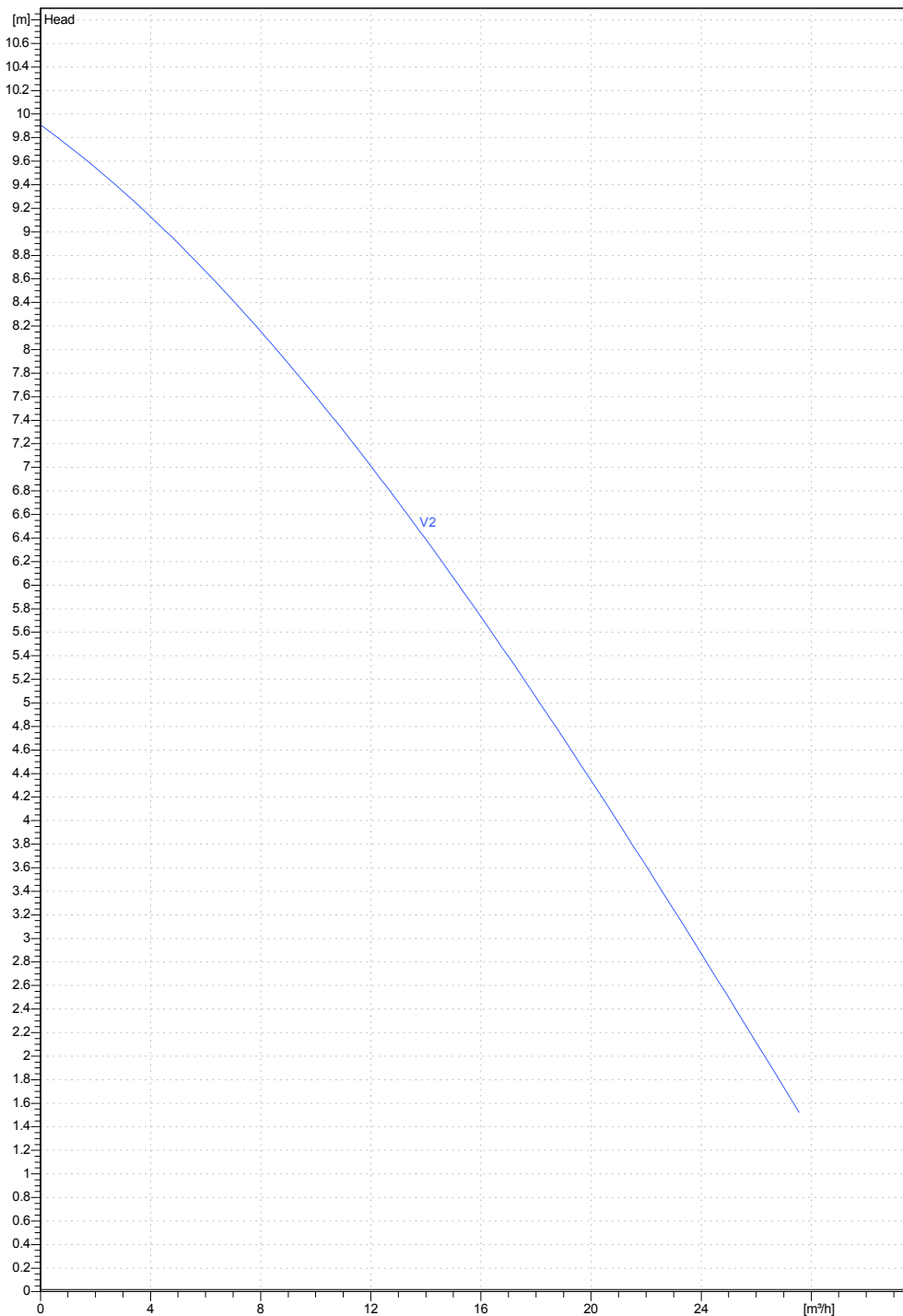
DAB PUMPS S. p. A.
Via Marco Polo, 14 - 35035 Mestrino (PD) - Italy
Ph. +39 049 9048811 - Fax +39 049 9048847
Http://www.dabpumps.com

Receiver

From

Societa
Reference
Address
Telephone
Fax
E-mail

BPH 120/280.50 T



Available data :

Suction side : DN 50/ PN 10	Discharge side : DN 50/ PN 10	Flow : 0 m³/h	Head : 0 m	Speed 2430 rpm
Project	Project ID	Created by	Created on 14.07.2010	

