



DATA SHEET

DAB PUMPS S. p. A.
Via Marco Polo, 14 - 35035 Mestrino (PD) - Italy
Ph. +39 049 9048811 - Fax +39 049 9048847
Http://www.dabpumps.com

14/07/2010

Receiver

From

Societa
Reference
Address
Telephone
Fax
E-mail

Item no. 5059070

Pump data :

Model :
BPH 12
Pressure rating : PN 10
Min. fluid temperature : -10 °C
Max. fluid temperature : 120 °C

Minimum suction head :

Temperature

°C	75	90	110	120
----	----	----	-----	-----

Minimum suction head

m	6	9	18	-
---	---	---	----	---

Requested data :

Flow : 0.00 m³/h
Head : 0.00 m
Fluid : Water, p
Fluid Temperature : 20 °C
Density : 998.3 kg/m³
Kinematic viscosity : 1.005 mm²/s
Vapor pressure : 100.00 kPa

Available data :

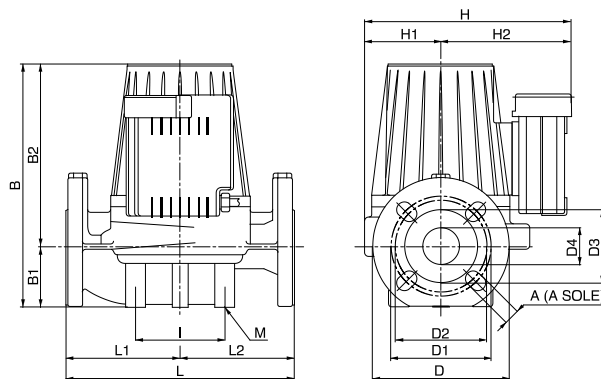
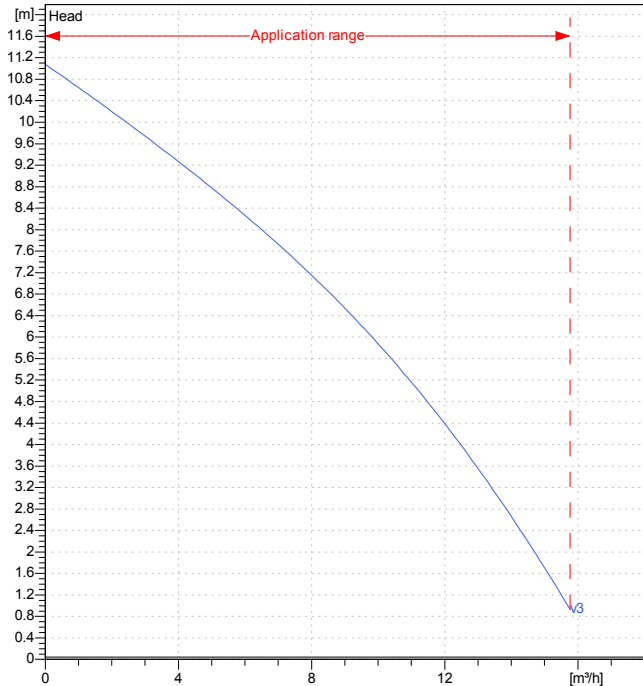
Flow :
Head :
Speed : 2650 rpm

Materials :

Pump body : Cast iron 200 UNI ISO 185
Impeller : Technopolymer B
Motor shaft : AISI 420 C bonofic
Air vent plug : Brass P Cu Zn40 Pb2 UNI 5705
OR gasket : Ety ilene propylene (EPDM)
Motor casing : Die cast aluminium
Stator liner : AISI 321Bon. - AISI 304

Motor data :

Trade mark : DAB
Nominal power P2 : 0.23 kW
Rated speed : 2650 rpm
Rated voltage : 1~ 230 V 50 Hz
Nominal current : 2.24 A
Degree of protection : IP 42



Dimension

mm

A	18	D	150	D4	40	I	100
B	266	D1	110	H	221	I1	-
B1	66	D2	100	H1	83	I2	-
B2	200	D3	80	H2	138	I3	-

Weight : 17.5 kg

Pump connection :

Suction side : DN 40 / PN 10
Discharge side : DN 40 / PN 10



PERFORMANCE CURVES

14/07/2010

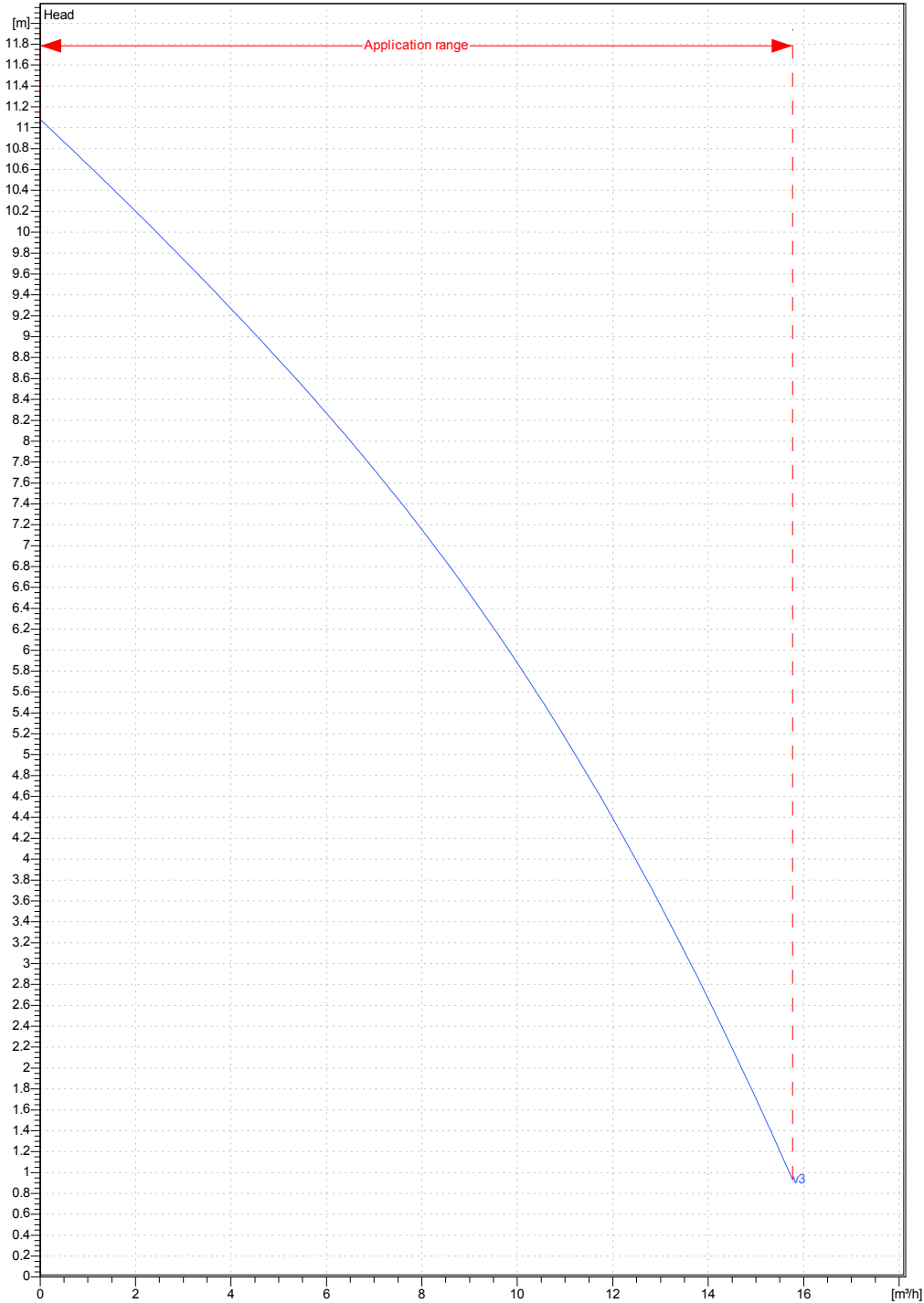
DAB PUMPS S. p. A.
Via Marco Polo, 14 - 35035 Mestrino (PD) - Italy
Ph. +39 049 9048811 - Fax +39 049 9048847
Http://www.dabpumps.com

Receiver

From

Societa
Reference
Address
Telephone
Fax
E-mail

BPH 120/250.40 M



Available data :

Suction side : DN 40/ PN 10	Discharge side : DN 40/ PN 10	Flow : 0 m³/h	Head : 0 m	Speed 2650 rpm
Project	Project ID	Created by	Created on 14.07.2010	



DIMENSIONAL DRAWING

14/07/2010

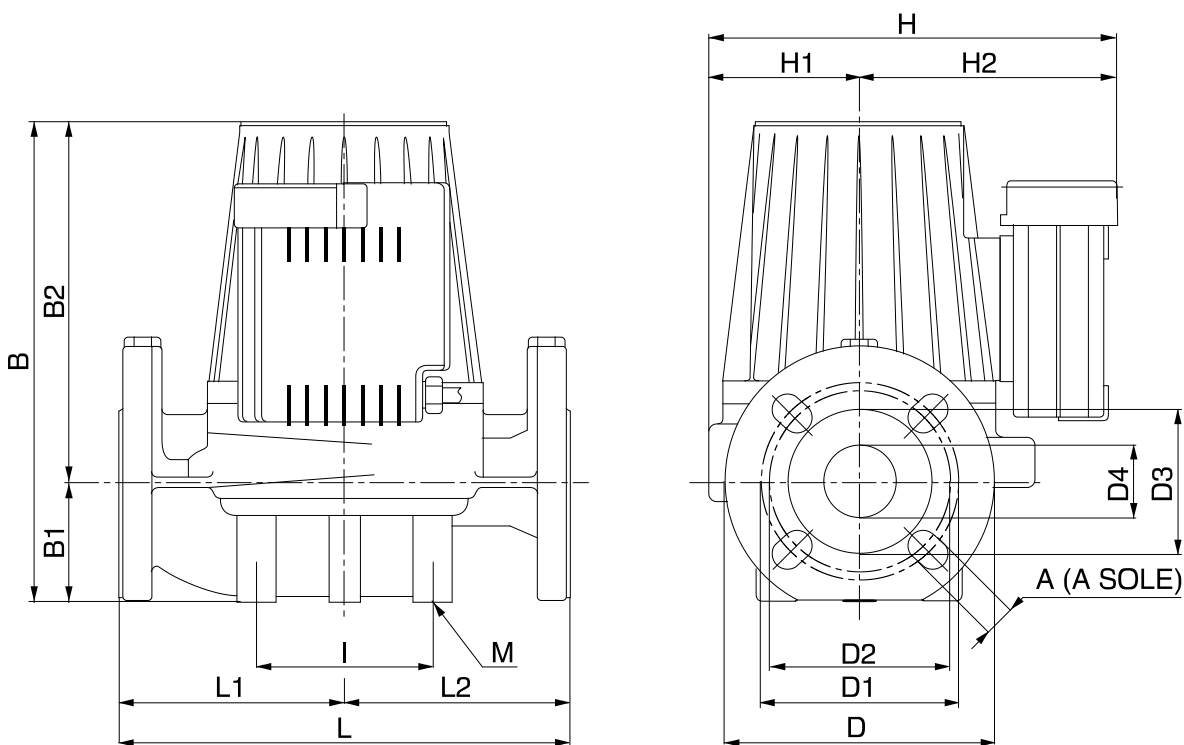
DAB PUMPS S. p. A.
Via Marco Polo, 14 - 35035 Mestrino (PD) - Italy
Ph. +39 049 9048811 - Fax +39 049 9048847
Http://www.dabpumps.com

Receiver

From

Societa
Reference
Address
Telephone
Fax
E-mail

BPH 120/250.40 M



Dimensions in mm

Pump connection :

1	A	18	H1	83								
2	B	266	H2	138								
3	B1	66	I	100								Suction
4	B2	200	I1	-								DN 40
5	D	150	I2	-								PN 10
6	D1	110	I3	-								Discharge
7	D2	100	L	250								DN 40
8	D3	80	L1	125								PN 10
9	D4	40	L2	125								
10	H	221	M	M10								

Project	Project ID	Created by	Created on
			14.07.2010